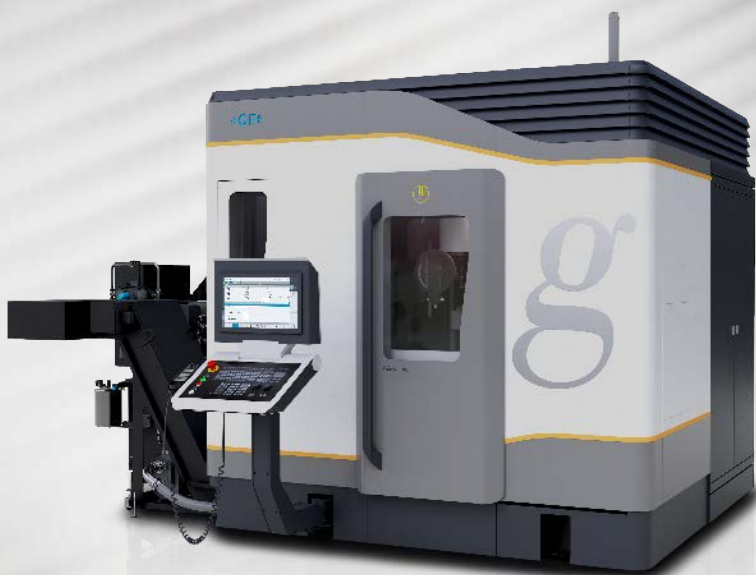


Liechi
Turbomill 500g

Setting the new standard of blade machining



Turbomill 500g

High-performance airfoil manufacturing

Designed for manufacturing of single blades for aerospace and power applications, the Liechti Turbomill 500g is a highly dynamic solution. Unique features such as g-technology and Tool Pivot Point machining help you attain maximum performance while reducing your cost per part, at the highest quality and productivity requirements.

High dynamics with g-technology

The Liechti g-technology delivers extremely high dynamic machining. The combination of the 20'000 rpm Step-Tec Spindle, 2'000 rpm turning, 2 g acceleration and linear feedrate of 60 m/min ensures the fastest cycle times.



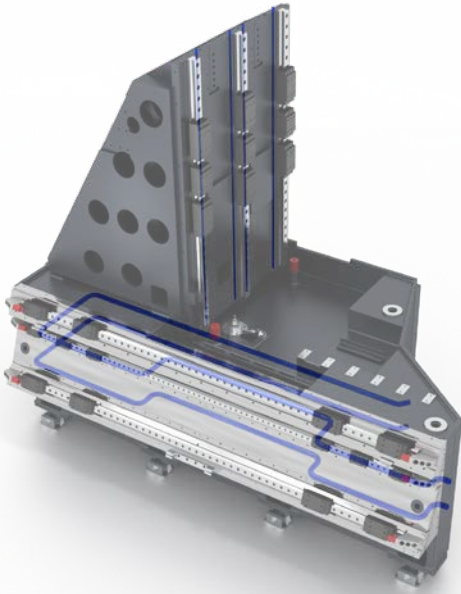
Bar feeder automation

For unattended machining and quick return on investment, the Turbomill 500g can be equipped with a bar feeder to load the bar automatically into the working area. When finished, the part is automatically removed to allow non-stop production.



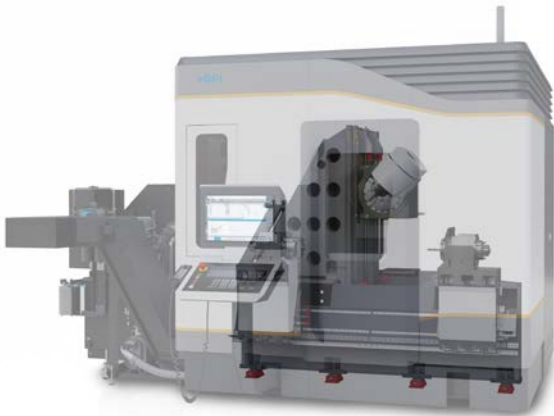
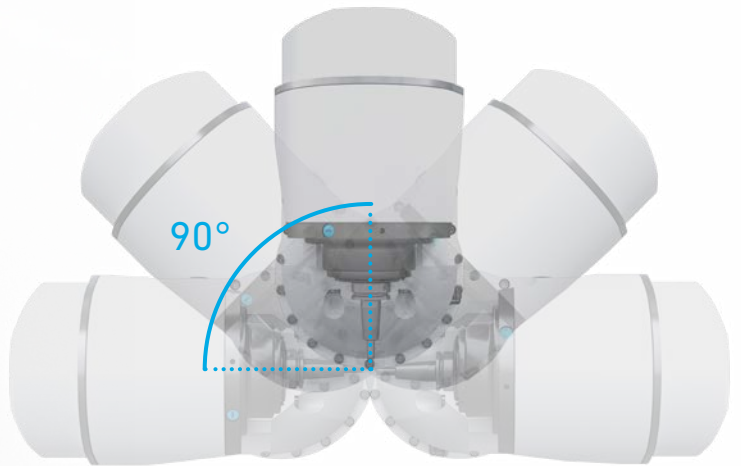
Stable machining

Maintaining machine stability during long and dynamic milling processes is crucial to comply with high quality requirements. That's why all five of the Turbomill 500g axes are equipped with direct driven motors and an internal bed cooling system is integrated to stabilize machine temperature at the optimum level.



High speed and accuracy

The 100 rpm Tool Pivot Point (TPP) machining feature available on the B-axis of the Turbomill 500g guarantees high speed around edges as well as high accuracy. Less movements of the linear axis means shorter cycle time, higher positioning accuracy and less mechanical wear.



Technical data	Turbomill 500g
Blade length max. incl. fixture	500 mm
Blade swing dia. max.	200 mm
Spindle	20'000 rpm, HSK-A63 (T-63)
Turning	1'000 / 2'000 rpm
Automation	Pallet handling, part handling, bar feeding
Tool changer	30 or 60 positions, HSK-A63
Quality inspection	Work & tool measuring
CAM	Liechti Turbosoft plus
ITC	Intelligent Thermal Compensation

At a glance

We enable our customers to run their businesses efficiently and effectively by offering innovative Milling, EDM, Laser, Additive Manufacturing, Spindle, Tooling and Automation solutions. A comprehensive package of Customer Services completes our proposition.

www.gfms.com

