

Chmer wire EDM's + System 3R tooling

Ledger for EconoRulers

Older machines

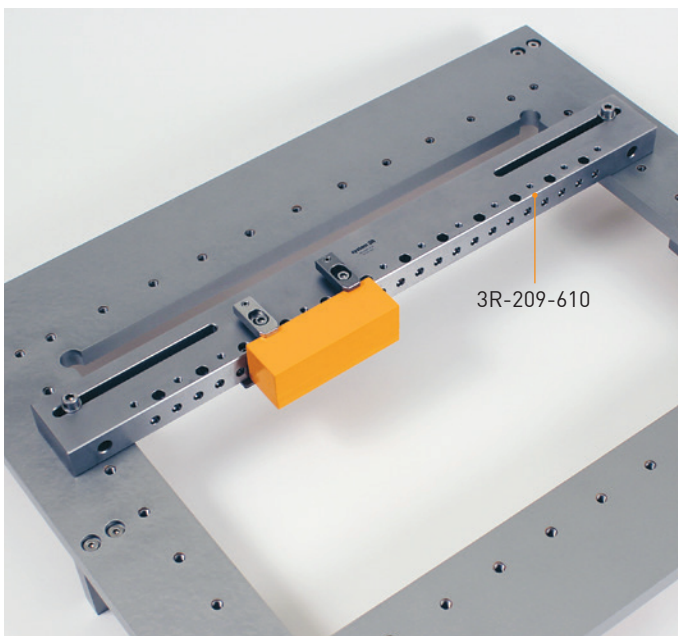


Chmer

EconoRulers are supplied by kits. For more info, look for the various TPS-sheets covering the various 3R-209-xxx kits and accessories. The EconoRulers come by four different lengths: L=350, 610, 860 and 960 mm.

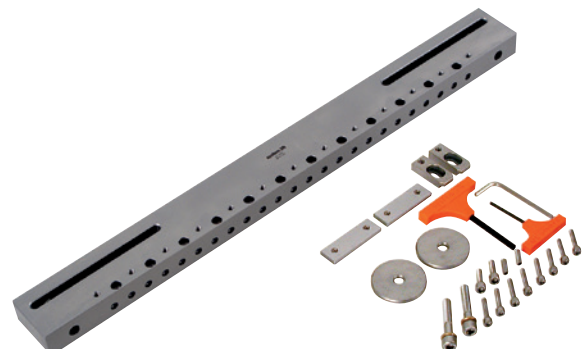
Model	c-c X	Table X	3R-209-xxx	Overhang X*		c-c Y	Table Y	3R-209-xxx	Overhang Y*
CW64	700	838	860	11		-	518	N.a.	N.a.
CW320	412	526	610	42		-	335	N.a.	N.a.
CW322S	440	578	610	16		-	368	N.a.	N.a.
CW422S	500	638	610	-14		-	368	N.a.	N.a.
CW432S	500	638	610	-14		-	428	N.a.	N.a.
CW532S	600	738	860	61		-	518	N.a.	N.a.
CW643S	700	838	860	11		-	518	N.a.	N.a.
CW743S	850	988	960	-14		-	518	N.a.	N.a.
GX320L	450	588	610	11		-	368	N.a.	N.a.

* Overhang means a stick-out of EconoRuler that may collide with tankwall (only valid if value is positive and box is colored orange). In order to solve this risk of collision, it may require the EconoRuler to be cut off.



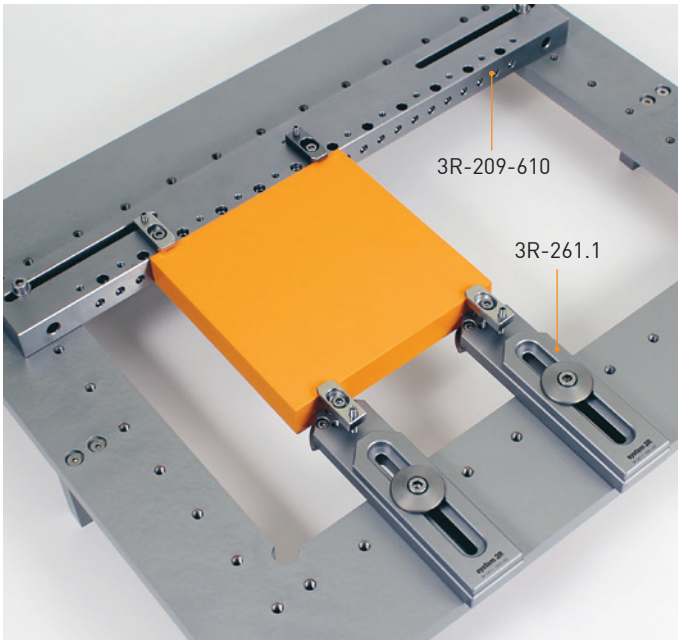
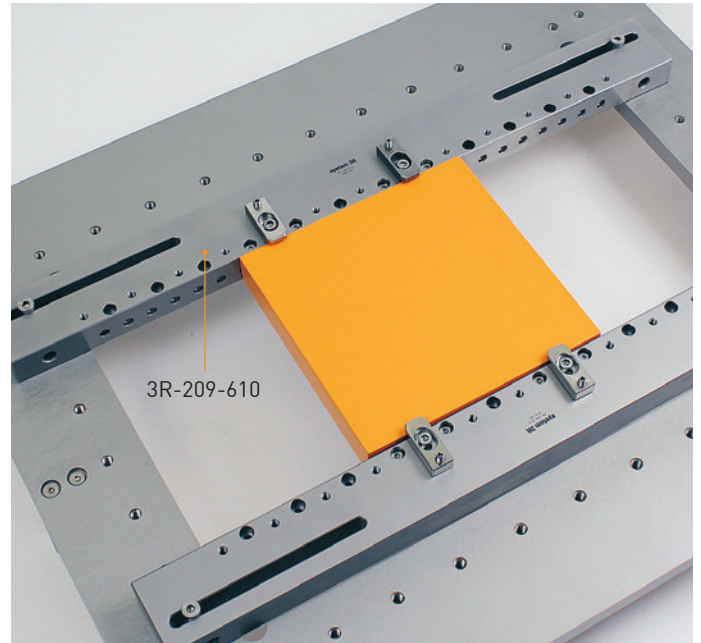
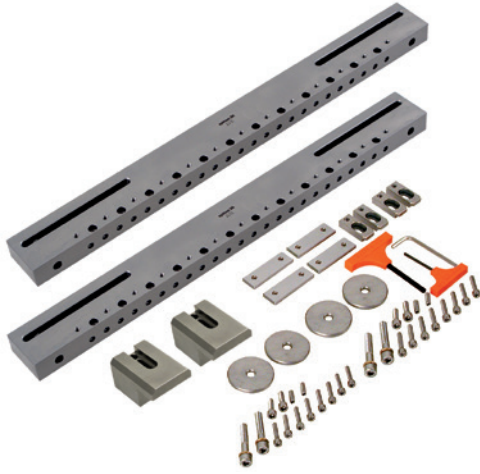
EconoRuler kit, 3R-209-XXX.1

Note: There are four different kits to choose between. 350 mm, 610 mm, 860 mm or 960 mm EconoRuler length.



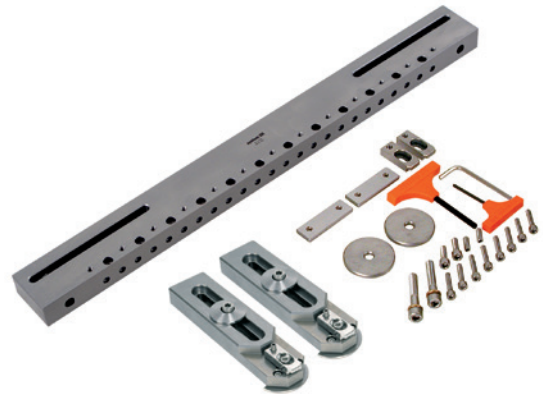
EconoRuler kit, 3R-209-XXX.2

Note: There are four different kits to choose between.
350 mm, 610 mm, 860 mm or 960 mm EconoRuler length.



EconoRuler kit, 3R-209-XXX.3

Note: There are four different kits to choose between.
350 mm, 610 mm, 860 mm or 960 mm EconoRuler length.



EconoRuler kit, 3R-209-XXX.4

Note: There are four different kits to choose between.
350 mm, 610 mm, 860 mm or 960 mm EconoRuler length.

