

Excetek wire EDM's + System 3R tooling

Ledger for EconoRulers



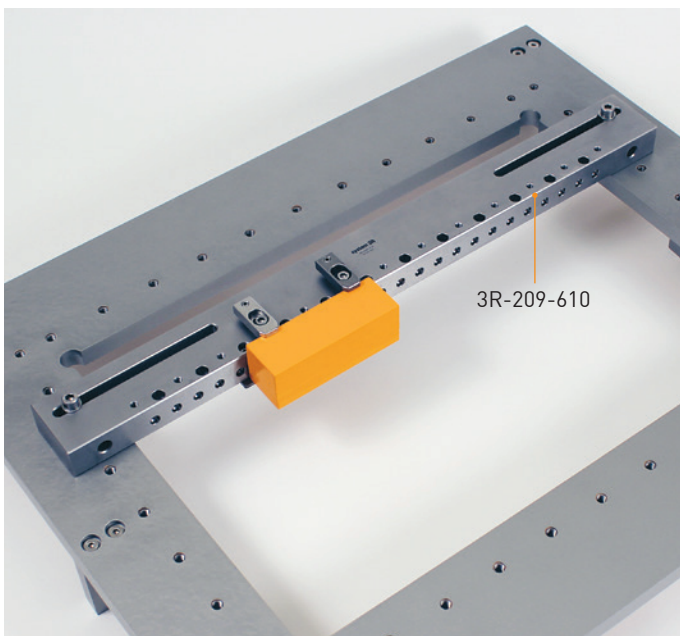
Excetek

EconoRulers are supplied by kits. For more info, look for the various TPS-sheets covering the various 3R-209-xxx kits and accessories. The EconoRulers come by four different lengths: L=350, 610, 860 and 960 mm.

| Model | c-c X | Table X | 3R-209-xxx | Overhang X* | c-c Y | Table Y | 3R-209-xxx | Overhang Y* |
|-------|-------|---------|------------|-------------|-------|---------|------------|-------------|
| V400G | 480 | 676 | 610 | -33 | - | 506 | N.a. | N.a. |
| V500G | 580 | 766 | 610 | -78 | - | 536 | N.a. | N.a. |
| V650G | 730 | 916 | 860 | -28 | - | 636 | N.a. | N.a. |
| V850G | 880 | 1066 | 960 | -53 | - | 736 | N.a. | N.a. |
| V1060 | 1080 | 1440 | N.a. | N.a. | - | 940 | N.a. | N.a. |

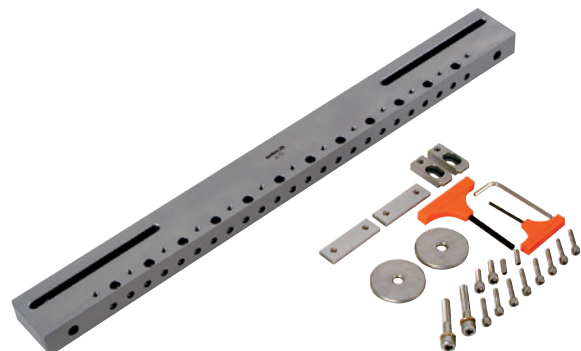
* Overhang means a stick-out of EconoRuler that may collide with tankwall (only valid if value is positive and box is colored orange). In order to solve this risk of collision, it may require the EconoRuler to be cut off.

** Dedicated bolt-slots will not match threaded hole-pattern. In order to secure EconoRuler, it requires the use of 3R-A209.



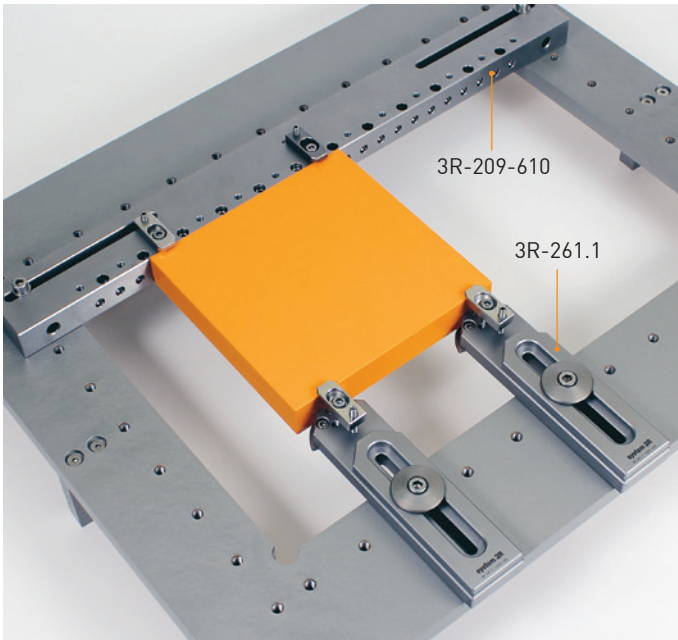
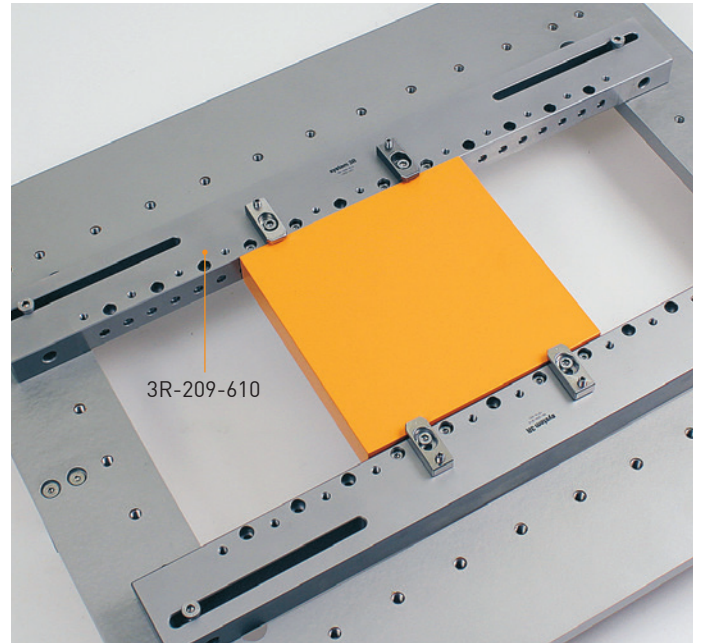
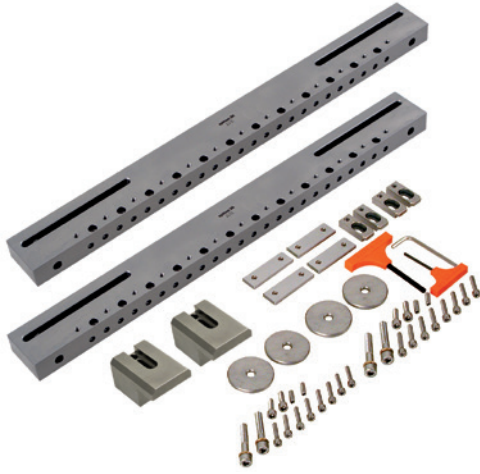
EconoRuler kit, 3R-209-XXX.1

Note: There are four different kits to choose between. 350 mm, 610 mm, 860 mm or 960 mm EconoRuler length.



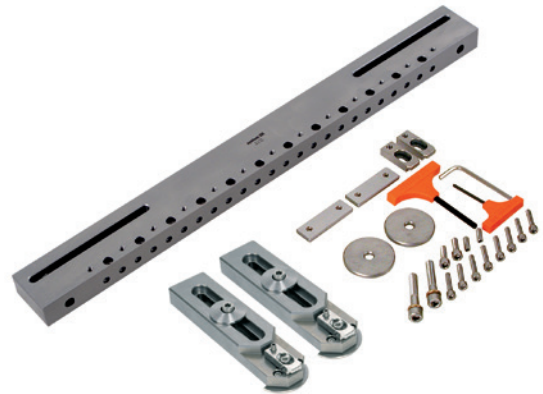
EconoRuler kit, 3R-209-XXX.2

Note: There are four different kits to choose between.
350 mm, 610 mm, 860 mm or 960 mm EconoRuler length.



EconoRuler kit, 3R-209-XXX.3

Note: There are four different kits to choose between.
350 mm, 610 mm, 860 mm or 960 mm EconoRuler length.



EconoRuler kit, 3R-209-XXX.4

Note: There are four different kits to choose between.
350 mm, 610 mm, 860 mm or 960 mm EconoRuler length.

