

Fanuc wire EDM's + System 3R tooling

Ledger for

EconoRulers

Older machines

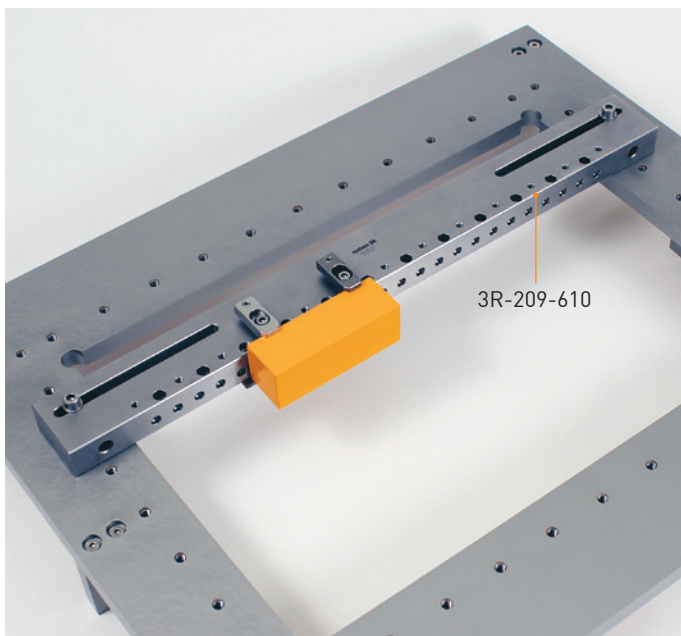


## Fanuc

EconoRulers are supplied by kits. For more info, look for the various TPS-sheets covering the various 3R-209-xxx kits and accessories. The EconoRulers come by four different lengths: L=350, 610, 860 and 960 mm.

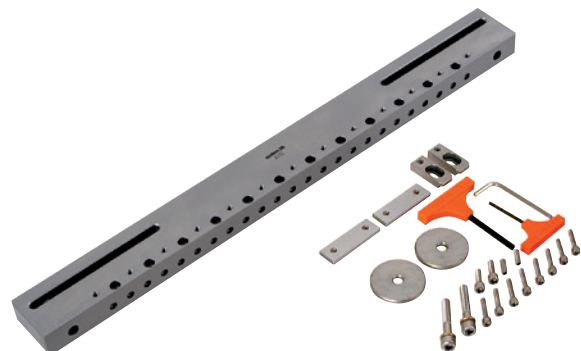
Model								
	c-c X	Table X	3R-209-xxx	Overhang X*	c-c Y	Table Y	3R-209-xxx	Overhang Y*
alpha 0iA	376	532	610	39	-	361	N.a.	N.a.
alpha 0iB	376	532	610	39	-	361	N.a.	N.a.
alpha 0iC	376	532	610	39	-	361	N.a.	N.a.
alpha 0iD	426	596	610	7	-	411	N.a.	N.a.
alpha 0iDP	426	596	610	7	-	411	N.a.	N.a.
alpha 0iE	426	596	610	7	-	411	N.a.	N.a.
alpha 0iP	376	532	610	39	-	361	N.a.	N.a.
alpha 1iA	600	740	860	60	450	590	610	10
alpha 1iB	630	770	860	45	450	590	610	10
alpha 1iC	630	770	860	45	450	590	610	10
alpha 1iD	680	898	860	-19	480	620	610	-5
alpha 1iDP	680	898	860	-19	480	620	610	-5
alpha 1iE	680	898	860	-19	480	620	610	-5

\* Overhang means a stick-out of EconoRuler that may collide with tankwall (only valid if value is positive and box is colored orange). In order to solve this risk of collision, it may require the EconoRuler to be cut off.



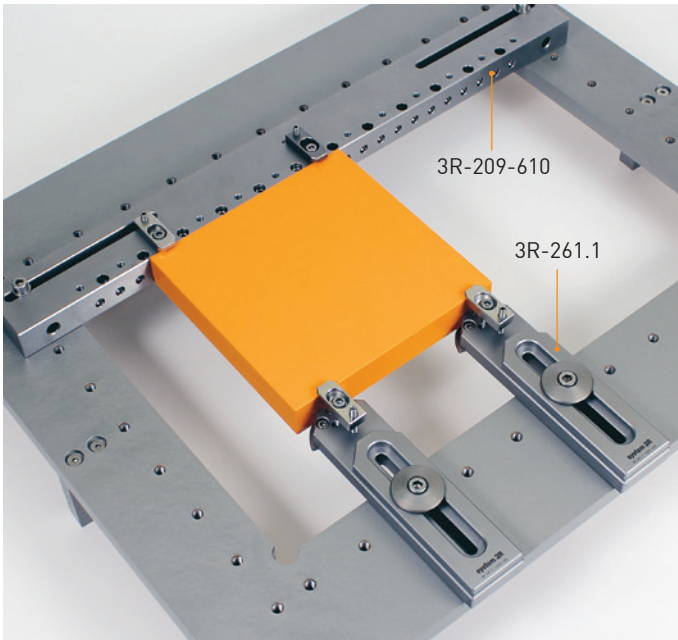
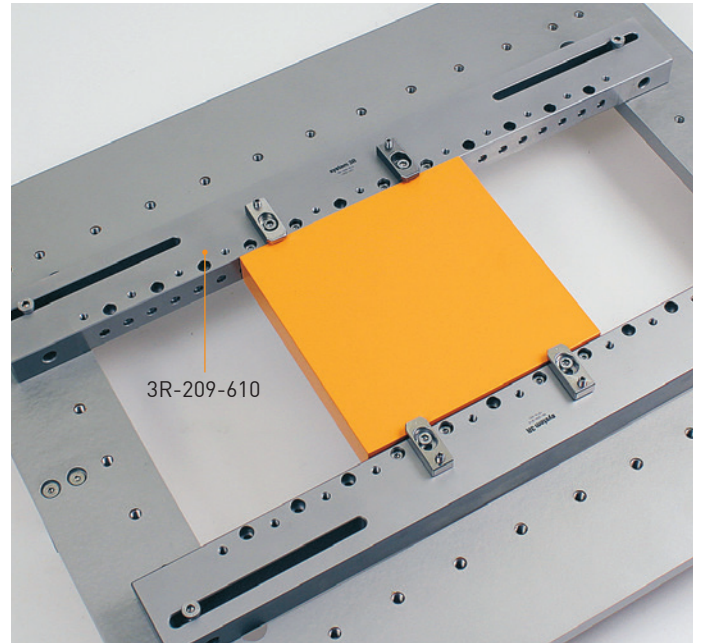
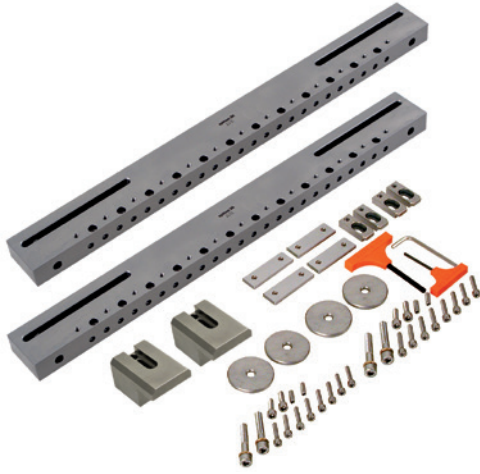
### EconoRuler kit, 3R-209-XXX.1

Note: There are four different kits to choose between. 350 mm, 610 mm, 860 mm or 960 mm EconoRuler length.



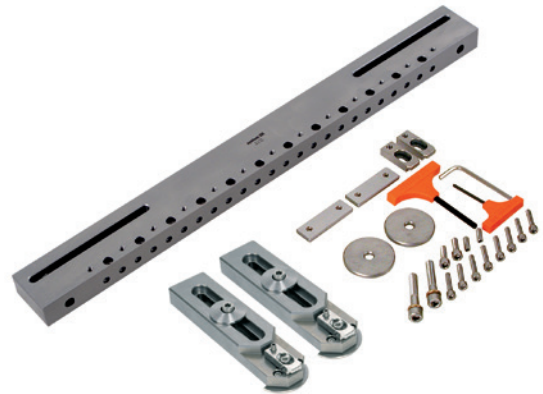
### EconoRuler kit, 3R-209-XXX.2

Note: There are four different kits to choose between.  
350 mm, 610 mm, 860 mm or 960 mm EconoRuler length.



### EconoRuler kit, 3R-209-XXX.3

Note: There are four different kits to choose between.  
350 mm, 610 mm, 860 mm or 960 mm EconoRuler length.



### EconoRuler kit, 3R-209-XXX.4

Note: There are four different kits to choose between.  
350 mm, 610 mm, 860 mm or 960 mm EconoRuler length.

