

ONA + System 3R tooling

# Ledger for Reference elements and 3Rulers



This ledger is only to guide suitable length of reference elements and 3Ruler for specific machine model. Contents for 3Rulers and/or reference elements, see also TPS-sheets covering the range of 3R-200.yyJ-x, 3R-239-xxx and accessories.

## ONA

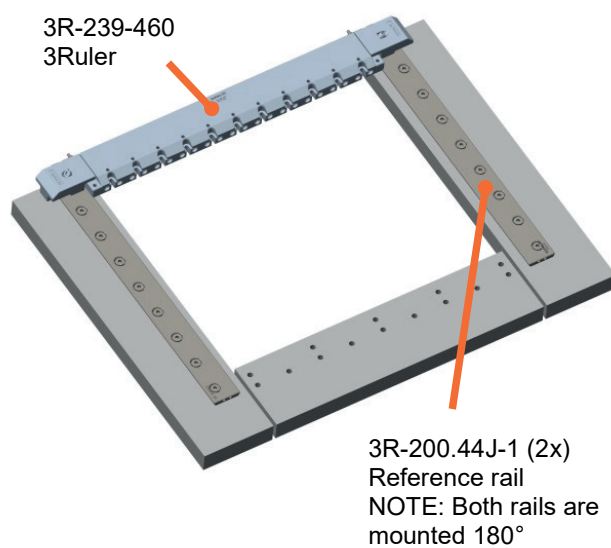
Model	Tooling configuration for X-axis		Tooling configuration for Y-axis		MIC-xxxx	
	Ref. element	3R-239-xxx	Ref. element	3R-239-xxx		
AF25	3R-200.44J-1	460	3R-200.44J-1	N.a.	2855	Page: 3
AF35	3R-200.4J-2	675.86	3R-200.5J-2	N.a.	2856	Page: 4
AV35	3R-200.44J-1 + 3R-200.4J-4	665.86	3R-200.5J-2	455	2857	Page: 5
AF60	3R-200.3J-1 + 3R-200.3J-4	875.86	3R-200.3J-4	N.a.	2932	Page: 6
AV60	3R-200.3J-1 + 3R-200.3J-4	875.86	3R-200.3J-4	N.a.	2932	Page: 6

## MIC – Machine Interface Configuration

July 9, 2019

Subject to modifications  
MIC-2855

### ONA – AF25



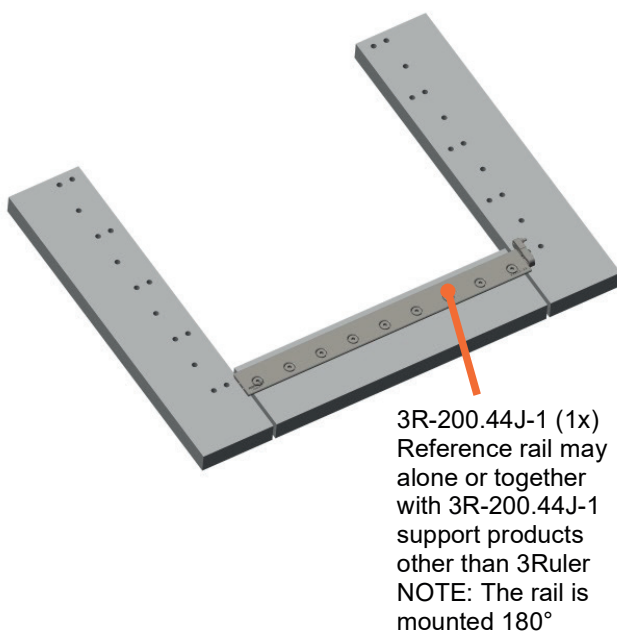
Machine table without tooling

Working area:  
X: 400 mm  
Y: 300 mm

#### Horizontal configuration

This configuration display one 3Ruler, but two cross bars may be used.

Working area:  
X: 400 mm  
Y: 300 mm



#### Vertical configuration

This U-shaped machine-table, does not support 3Ruler.

Working area:  
X: 400 mm  
Y: 300 mm

See also TPS-sheet "3R-239-xxx" covering 3Ruler and recommended accessories.

Note: The reference rail also enables the use of other products like: 3R-218-S, 3R-243.2-1 or 3R-272HP.

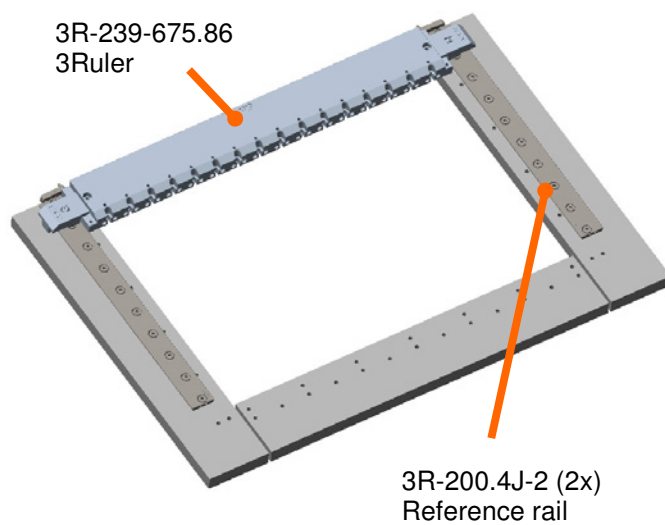
# System 3R

## MIC – Machine Interface Configuration

November 22, 2018

Subject to modifications  
MIC-2856

## ONA – AF35



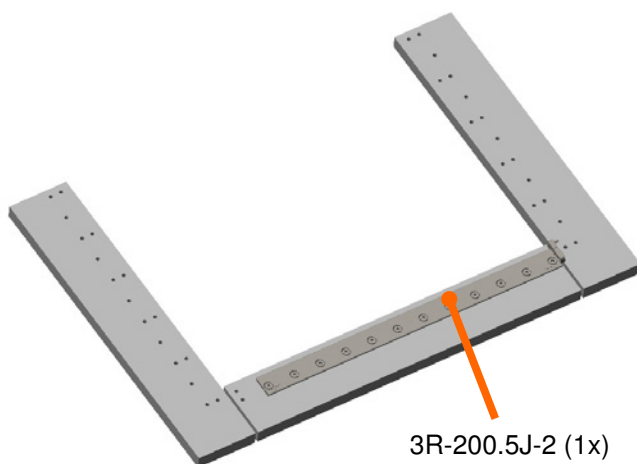
Machine table without tooling

Working area:  
X: 600 mm  
Y: 400 mm

### Horizontal configuration

This configuration display one 3Ruler, but two cross bars may be used.

Working area:  
X: 600 mm  
Y: 386 mm



3R-200.5J-2 (1x)  
Reference rail may  
alone or together  
with 3R-200.4J-2  
support products  
other than 3Ruler  
NOTE: The rail is  
mounted 180°

### Vertical configuration

This U-shaped machine-table, does not support 3Ruler.

Working area:  
X: 600 mm  
Y: 400 mm

See also TPS-sheet “3R-239-xxx” covering 3Ruler and recommended accessories.

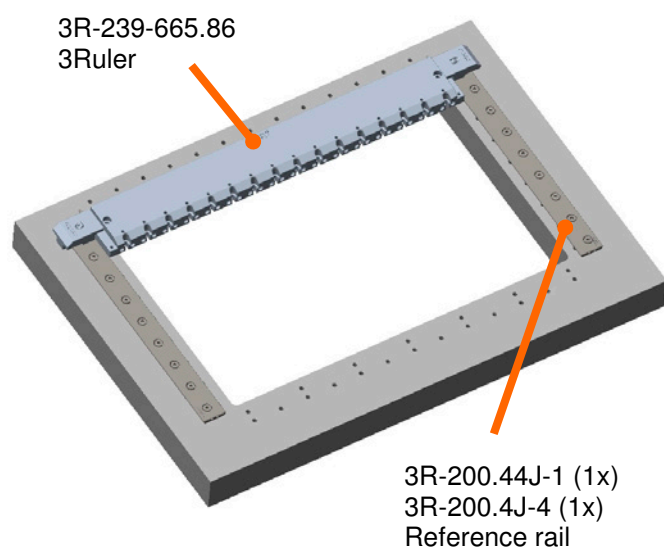
Note: The reference rail also enables the use of other products like: 3R-218-S, 3R-243.2-1 or 3R-272HP.

## MIC – Machine Interface Configuration

November 22, 2018

Subject to modifications  
MIC-2857

### ONA – AV35



Machine table without tooling

Working area:

X: 600 mm

Y: 400 mm

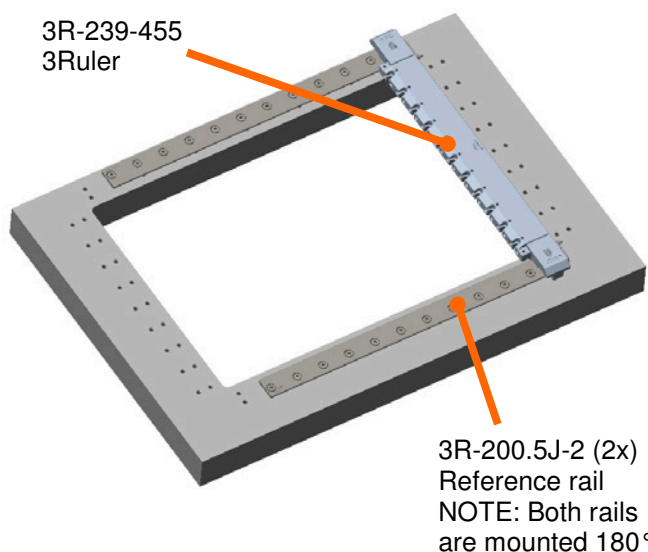
#### Horizontal configuration

This configuration display one 3Ruler, but two cross bars may be used.

Working area:

X: 600 mm

Y: 336 mm



#### Vertical configuration

This configuration display one 3Ruler, but two cross bars may be used.

Working area:

X: 550 mm

Y: 400 mm

See also TPS-sheet "3R-239-xxx" covering 3Ruler and recommended accessories.

Note: The reference rail also enables the use of other products like: 3R-218-S, 3R-243.2-1 or 3R-272HP.

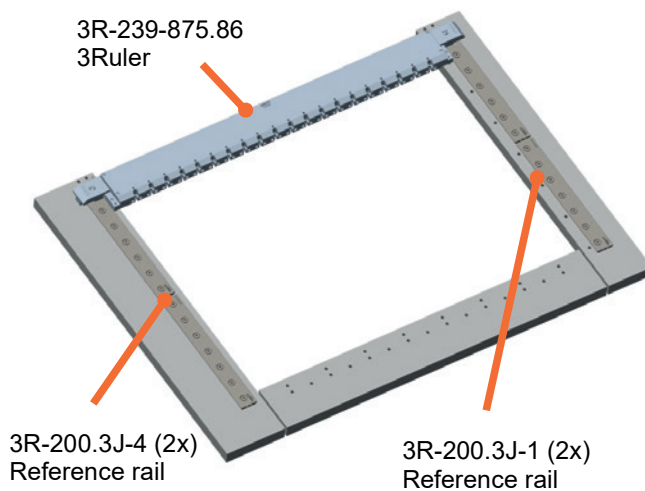
# System 3R

## MIC – Machine Interface Configuration

June 30, 2020

Subject to modifications  
MIC-2932

### ONA – AF60, AV60



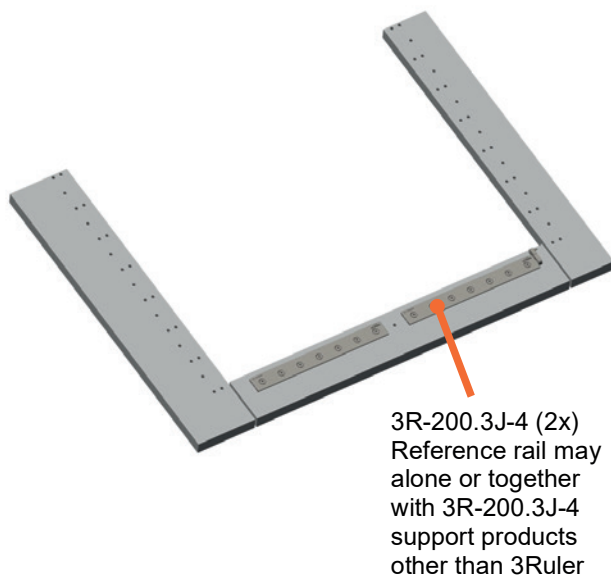
Machine table without tooling

Working area:  
X: 800 mm  
Y: 600 mm

#### Horizontal configuration

This configuration display one 3Ruler, but two cross bars may be used.

Working area:  
X: 800 mm  
Y: 560 mm



#### Vertical configuration

This U-shaped machine-table, does not support 3Ruler.

Working area:  
X: 800 mm  
Y: 600 mm

See also TPS-sheet “3R-239-xxx” covering 3Ruler and recommended accessories.

Note: The reference rail also enables the use of other products like: 3R-218-S, 3R-243.2-1 or 3R-272HP.

